

$$[2\psi] = \frac{M_t[2l]}{GK_t} \left(1 - \frac{2d}{[2l]} \tanh \left(\frac{[2l]}{2d} \right) \right)$$
$$d^2 = \frac{EC_w}{GK_t}$$

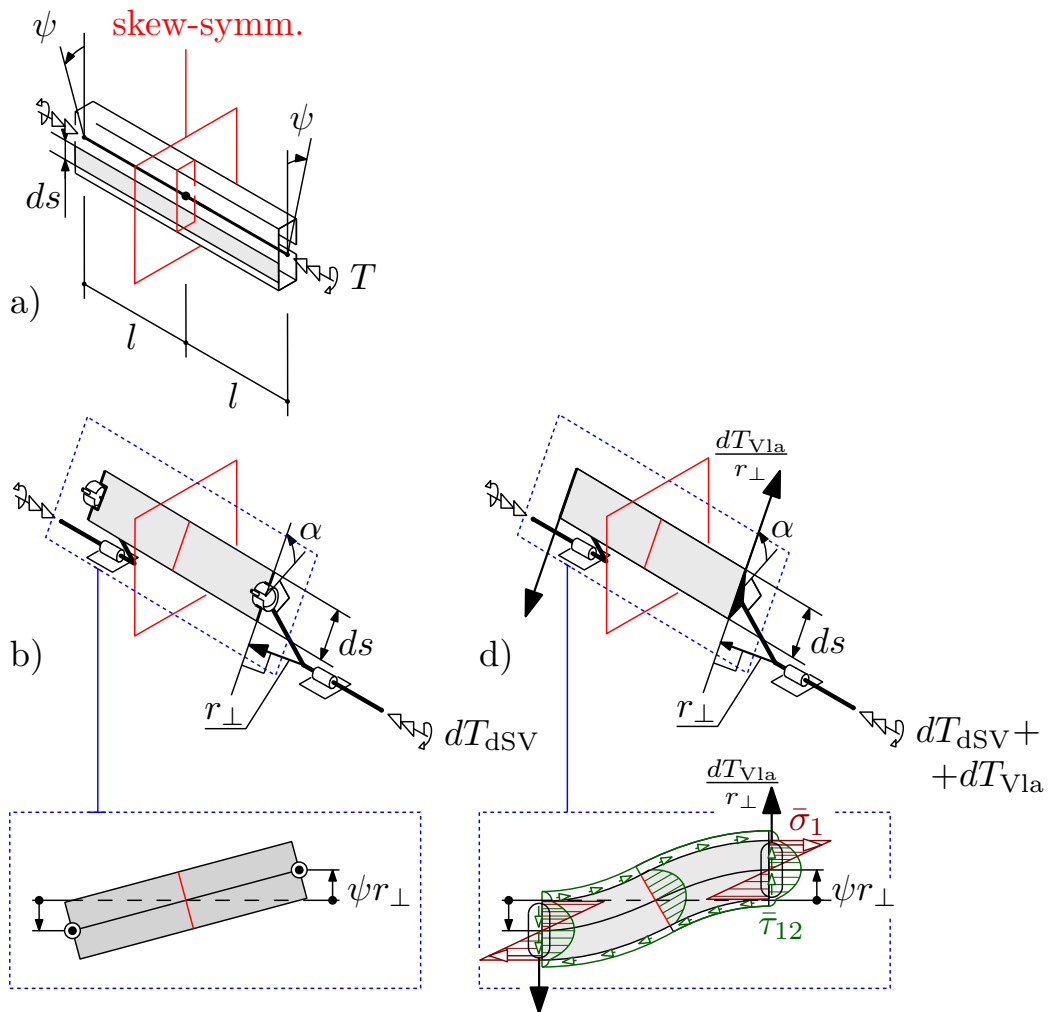


Figure 1: Rationalization of the Vlasov torsion for twin walled profiles, based on the deformation of an elementary profile wall *slat*.

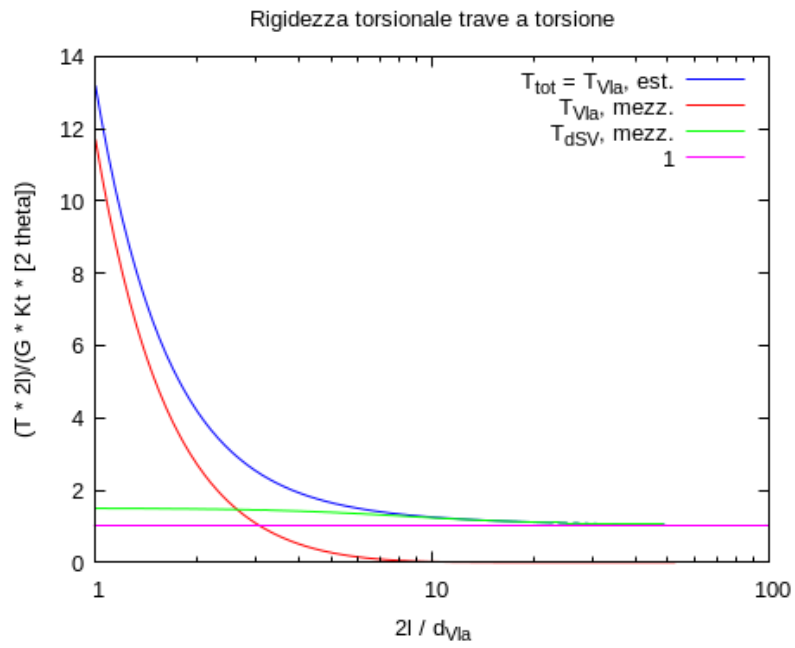


Figure 2: XXX

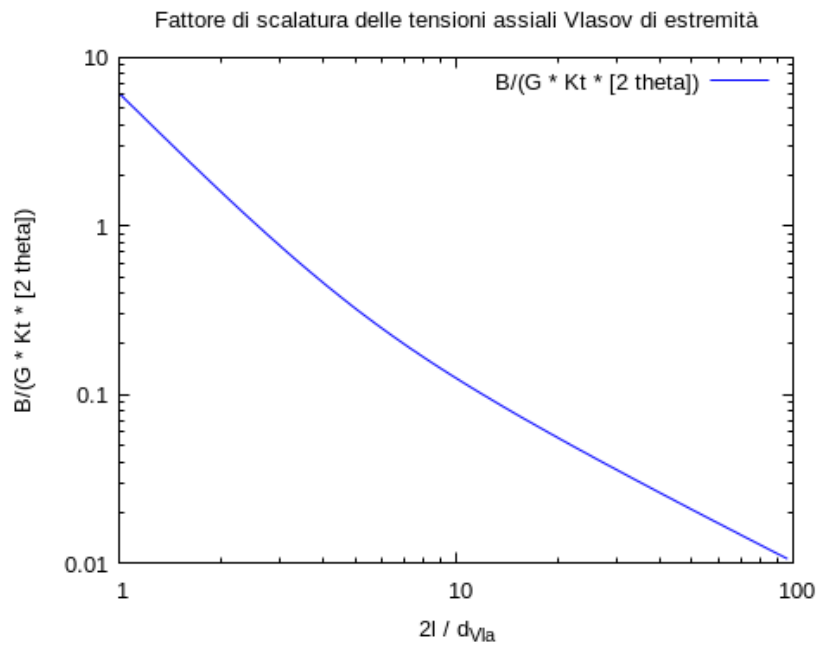


Figure 3: XXX

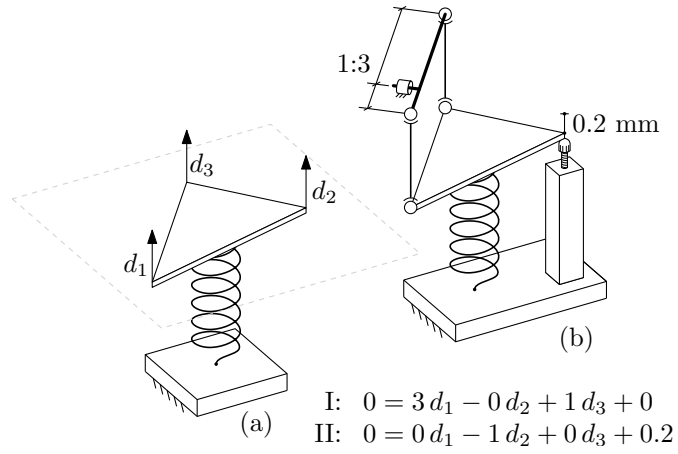


Figure 4: XXX

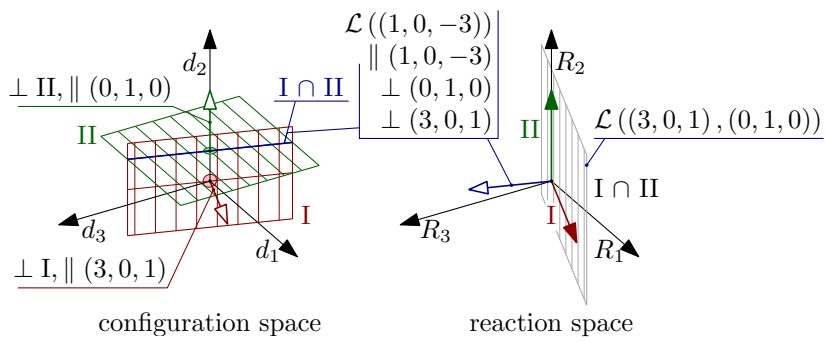


Figure 5: XXX